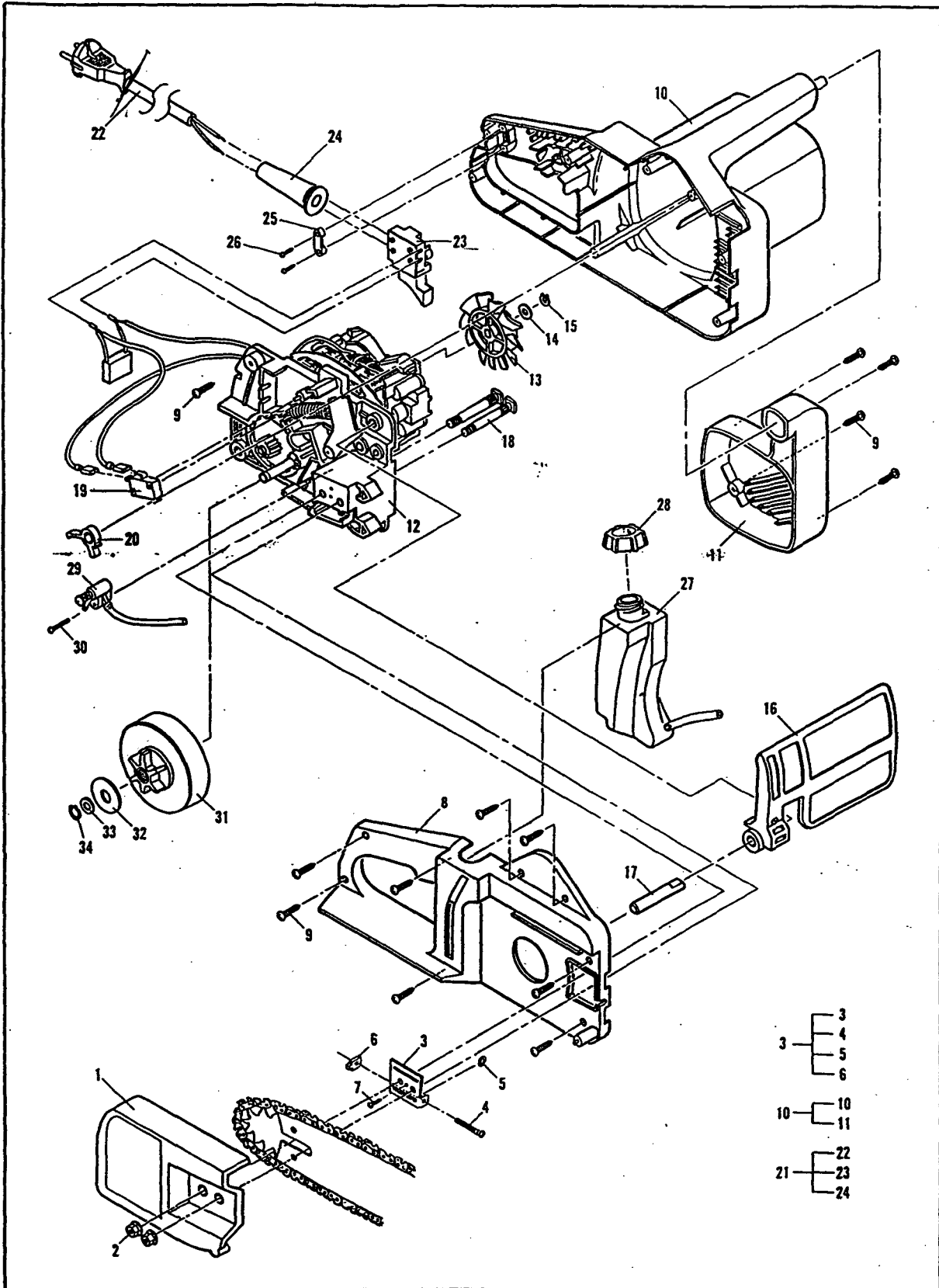


FIGURE 1

GENERAL ASSEMBLY



GENERAL ASSEMBLY

FIGURE 1

| ITEM NO. | PART NUMBER | DESCRIPTION | UNITS PER ASY. |
|----------|-------------|--------------------------------------|----------------|
| 1 | 40800-00 | Sprocket Cover | 1 |
| 2 | 22279-00 | Nut, Hex 1/4-28 | 2 |
| 3 | 40817-96 | Plate, Bar Tension | 1 |
| 4 | 223088 | Screw, Adjusting | 1 |
| 5 | 110907 | Ring, Retaining | 1 |
| 6 | 40900-99 | Nut, Bar Adjusting | 1 |
| 7 | 15140-99 | Screw, 4 x 5/8 Ph Pn Hd | 1 |
| 8 | 40806-02 | ① Housing, Right (Yellow) | 1 |
| | 40806-04 | ② Housing, Right (Blue) | 1 |
| | 40806-12 | ③ Housing, Right (Grey) | 1 |
| 9 | 15031-99 | Screw, 8 x 3/4 Ph Pn Hd | 13 |
| 10 | 40805-54 | ① Housing & End Cover, Left (Yellow) | 1 |
| | 40805-55 | ② Housing & End Cover, Left (Blue) | 1 |
| | 40805-60 | ③ Housing & End Cover, Left (Grey) | 1 |
| 11 | 40808-00 | Cover, End | 1 |
| 12 | 40929-50 | Motor/Chassis Assembly | 1 |
| 13 | 22209-01 | Fan, Cooling | 1 |
| 14 | 12775-00 | Washer | 1 |
| 15 | 36017-99 | Ring, Retaining, Cooling Fan | 1 |
| 16 | 40807-96 | Brake Lever | 1 |
| 17 | 40835-00 | Axle, Brake Lever | 1 |
| 18 | 40815-00 | Bolt, Bar | 2 |

| ITEM NO. | PART NUMBER | DESCRIPTION | UNITS PER ASY. |
|----------|-------------|---------------------------------|----------------|
| 19 | 40933-00 | Micro Switch | 1 |
| 20 | 40925-11 | Lever, Micro Switch | 1 |
| 21 | 12353-96 | ④ Cord/Switch Assembly (UK) | 1 |
| | 12354-96 | ⑤ Cord/Switch Assembly (Euro) | 1 |
| | 12355-96 | ⑥ Cord/Switch Assembly (Swiss) | 1 |
| | 12356-96 | ⑦ Cord/Switch Assembly (Italy) | 1 |
| 22 | 12353-00 | ④ Cord Assembly (UK) | 1 |
| | 12354-00 | ⑤ Cord Assembly (Euro) | 1 |
| | 12355-00 | ⑥ Cord Assembly (Swiss) | 1 |
| | 12356-00 | ⑦ Cord Assembly (Italy) | 1 |
| 23 | 40931-00 | Switch | 1 |
| 24 | 12228-01 | Cord Protector | 1 |
| 25 | 00498-00 | Clamp, Cord | 1 |
| 26 | 15145-99 | Screw, 6 x 1/2 Ph Pn Hd | 2 |
| 27 | 40818-96 | Oil Tank/Tubing/Filter Assembly | 1 |
| 28 | 40820-02 | Cap, Oil Tank | 1 |
| 29 | 40824-96 | Oil Pump/Tubing Assembly | 1 |
| 30 | 15117-99 | Screw, 6 x 1 Ph Pn Hd | 1 |
| 31 | 40810-96 | Brake Drum/Sprocket Assembly | 1 |
| 32 | 22257-00 | Washer, Flat | 1 |
| 33 | 40814-00 | Washer, Sprocket | 1 |
| 34 | 22237-00 | Ring, Retaining, Sprocket | 1 |

- ① 45333-50
- 45333-89
- 45333-90
- 45333-91
- ② 45334-50
- 45334-90

- ④ 45333-91
- 45339-91
- ⑤ 45333-50
- 45334-50
- 45339-50
- ⑥ 45333-89

4092542